



CHOOSE PEACE OF MIND

Tub Dimensions: 33³/₈ X 54¹/₄ X 40 inches

Top Diagonal: 63³/₄ inches

Tub Weight: 169 lbs

Note: No system or accessories included in tub weight.

Crated Dimensions: 35¹/₄ X 56 X 51 inches

Crated Weight: 209 lbs

Note: No system or accessories included in crated weight.

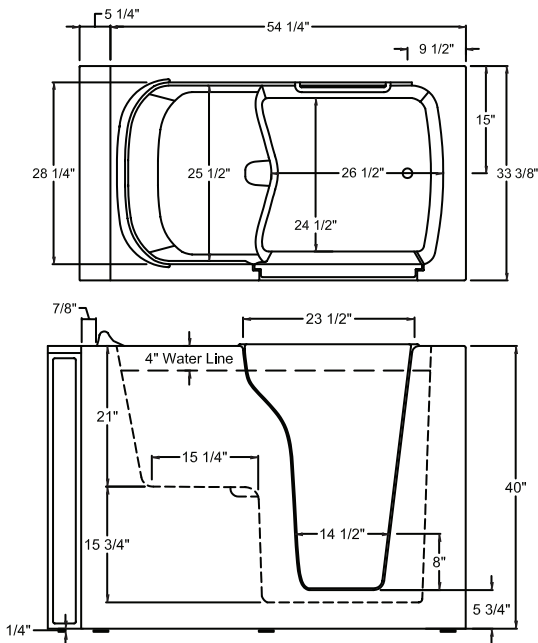
Occupant:	250 lbs	300 lbs	350 lbs
Gallons:	70	67	64

Materials: stainless steel frame
sturdy, woven-fiberglass
high-gloss gel-coat finish

Colors Available: white, bisque

Tub frame, body and door seal under 10-year warranty

Fixtures and system components under 2-year warranty



Walk-in Tub Specifications

Model B3355

Tub Features:

- Right or left-hand inward-swinging door and drain orientation
- Ergonomic door handle
- Ergonomic interior grab bar
- Tile flanges down
- Stainless steel tub frame with 6 adjustable leveling feet
- Easily-removable access panels

Included Accessories (standard with every tub):

- Tub extension kit to fill 60 inch spaces
- 5-piece chrome faucet set
 - ADA-compliant all-brass construction
 - 3/4" water supply capable of filling tub at 18 gallons per minute
- Drain and overflow kit
 - Elegant, chrome-plated design adheres to ADA standards
 - Easy-to-use, cable-actuated stopper assembly
 - 1-1/2" drain compatible with nearly all residential plumbing

Optional Massage Systems:

Senior-friendly electronic keypad standard with all systems

All system components UL certified

Air massage system (110-120V)

- 18 state-of-the-art air jets
- Ultra-quiet, variable-speed CG Air blower
- Ceramic heating element warms blower air
- Automatic purge cycle

Hydromassage system (110-120V)

- 10 vigorous, individually-adjustable, directional water jets
- Hydromassage pumps are ultra-quiet and energy efficient
- "Safety Suction" safely circulates the tub water

Dual massage system (110-120V)

- 16 air jets and 10 water jets
- Includes all other features of the air massage and hydromassage systems listed above

Optional Accessories:

- In-line heater for hydro and dual massage systems
- Multiple finishes available for faucet sets
- Shower slide bar (multiple finishes available)
- Thermostatic mixing/anti-scald valve
- Custom walk-in tub shower curtain with L-shaped metal rod & hooks
- VUV-powered Ozone Purification System
- Aromatherapy system with essential oil kit
- Chromatherapy 7-color light system
- End panel for 1 or 2 wall installations